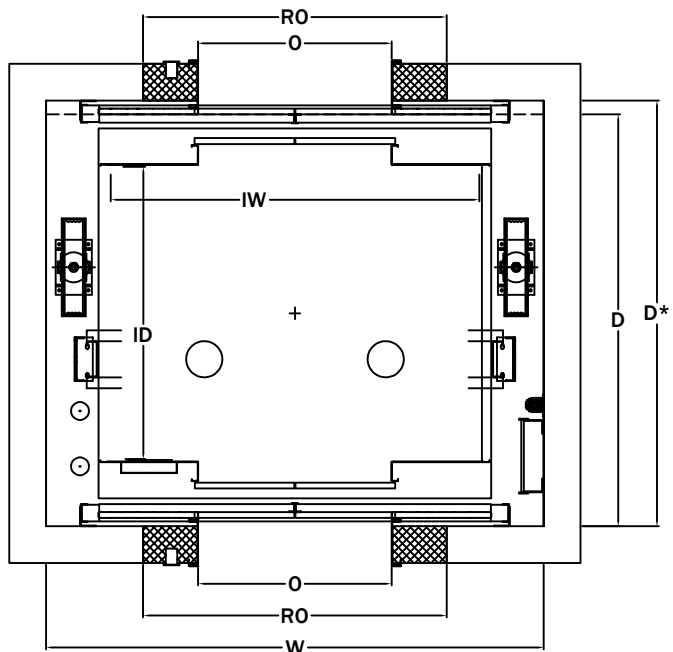
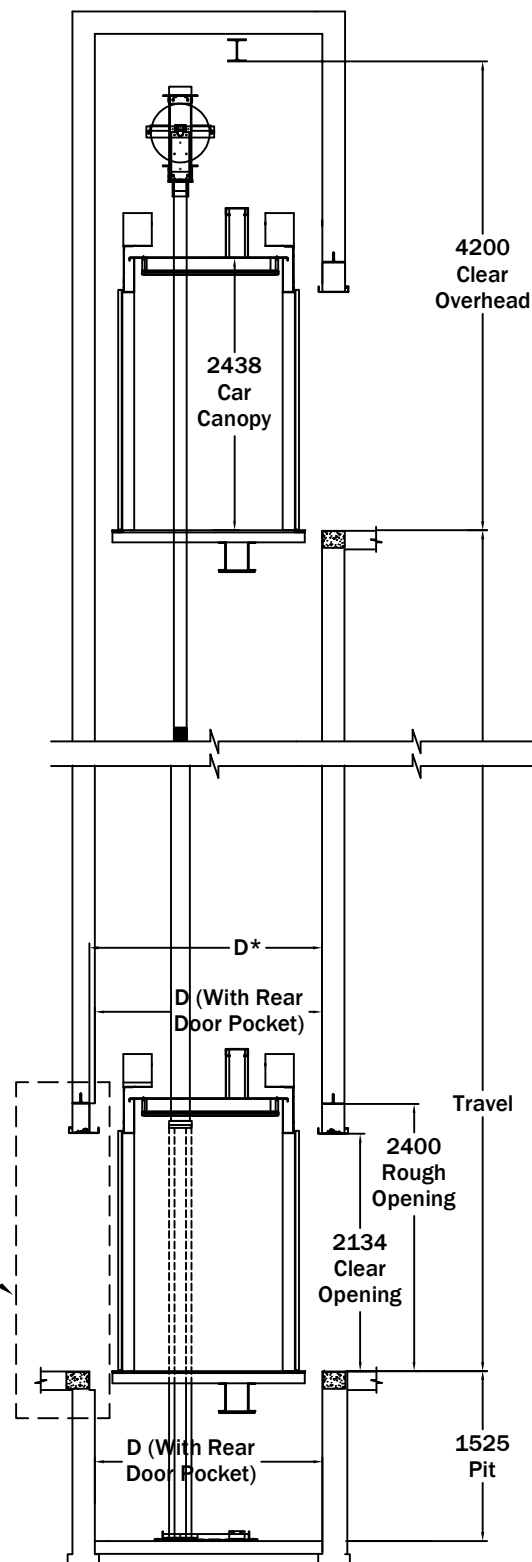


**Left Hand Opening Shown  
Right Hand Opposite**



**Centre Opening**

See Pocket Detail Page  
for Rear Pocket Option



### Standard Available Sizes

| Capacity (kg) | W (mm) | D (mm) | D* (mm) | IW (mm) | ID (mm) | O (mm) | RO (mm) |
|---------------|--------|--------|---------|---------|---------|--------|---------|
| 910           | 2438   | 1985   | 2036    | 1726    | 1300    | 914    | 1675    |
| 1134          | 2743   | 1985   | 2036    | 2032    | 1300    | 1067   | 1675    |
| 1365          | 2743   | 2091   | 2142    | 2032    | 1406    | 1067   | 1675    |
| 1587          | 2743   | 2295   | 2346    | 2032    | 1610    | 1067   | 1675    |

- D\* = D + 51 mm at Rear Entrance Only
- For Seismic Applications, Consult Delta Elevator for Increased Dimension "W"
- Clear Overhead Based Upon 2438mm Car Canopy
- Add 305mm to Clear Overhead for Every Car Canopy Increase of 152 to 305mm
- With Travel Greater than 7700mm, Consult Delta Elevator Regarding Design Options