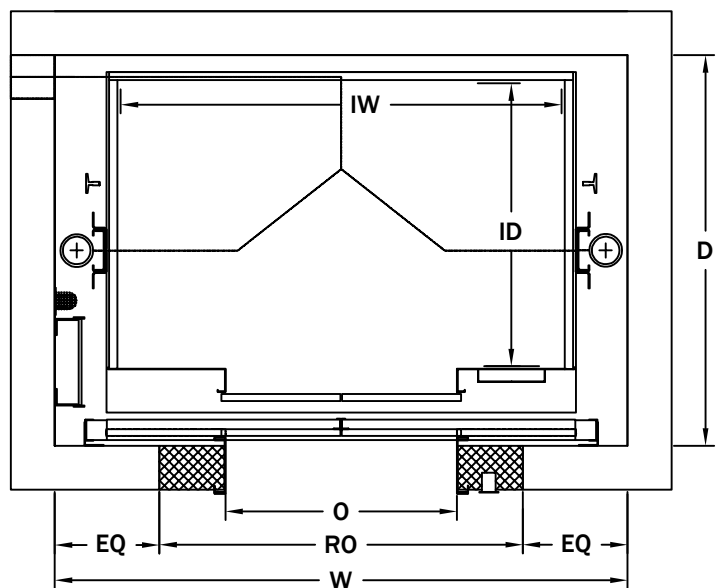
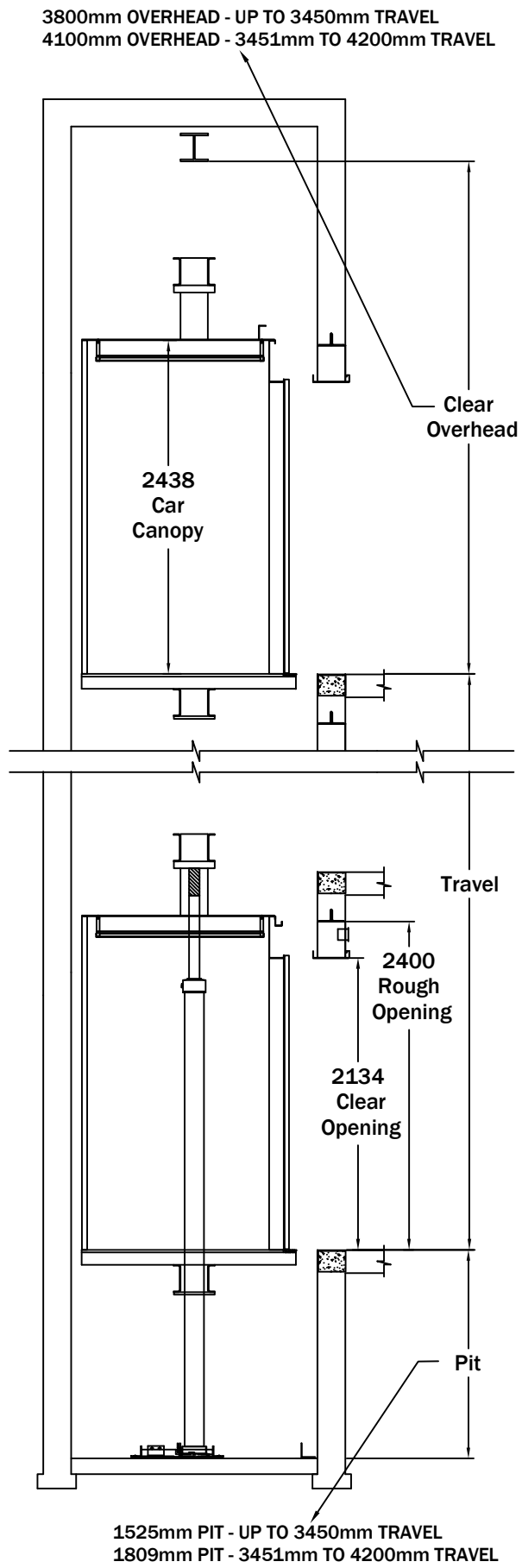


Left Hand Opening Shown
Right Hand Opposite



Centre Opening



Standard Available Sizes

Capacity (kg)	W (mm)	D (mm)	D* (mm)	IW (mm)	ID (mm)	O (mm)	RO (mm)
910	2334	1800	-	1726	1300	914	1675
1134	2640	1800	-	2032	1300	1067	1675
1365	2640	1906	-	2032	1406	1067	1675
1587	2674	2110	-	2032	1610	1067	1675

- For Seismic Applications, Consult Delta Elevator for Increased Dimension "W"
- Clear Overhead Based Upon 2438mm Car Canopy
- For Car Canopy Height Increase Add Equal Height to Clear Overhead
- With Travel Greater than 4200mm, Consult Delta Elevator Regarding Design Options