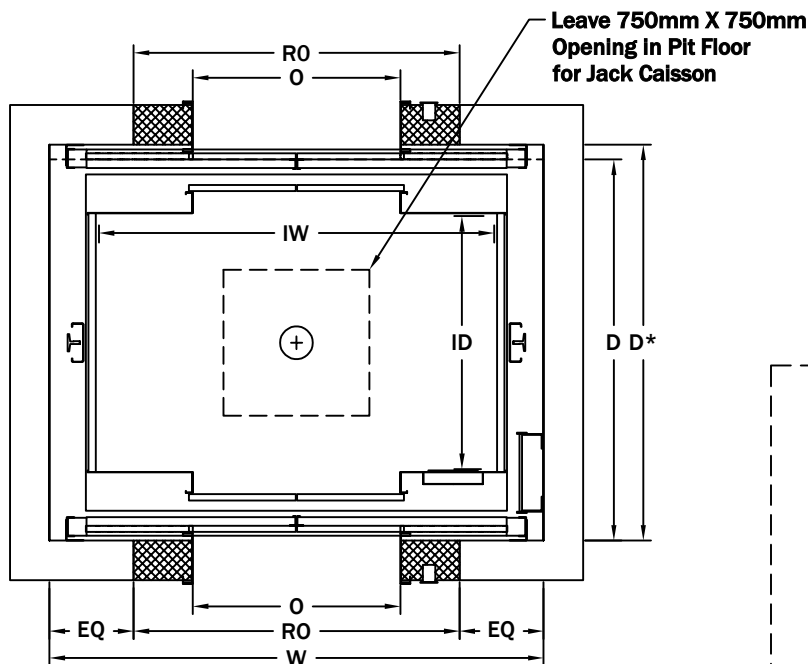
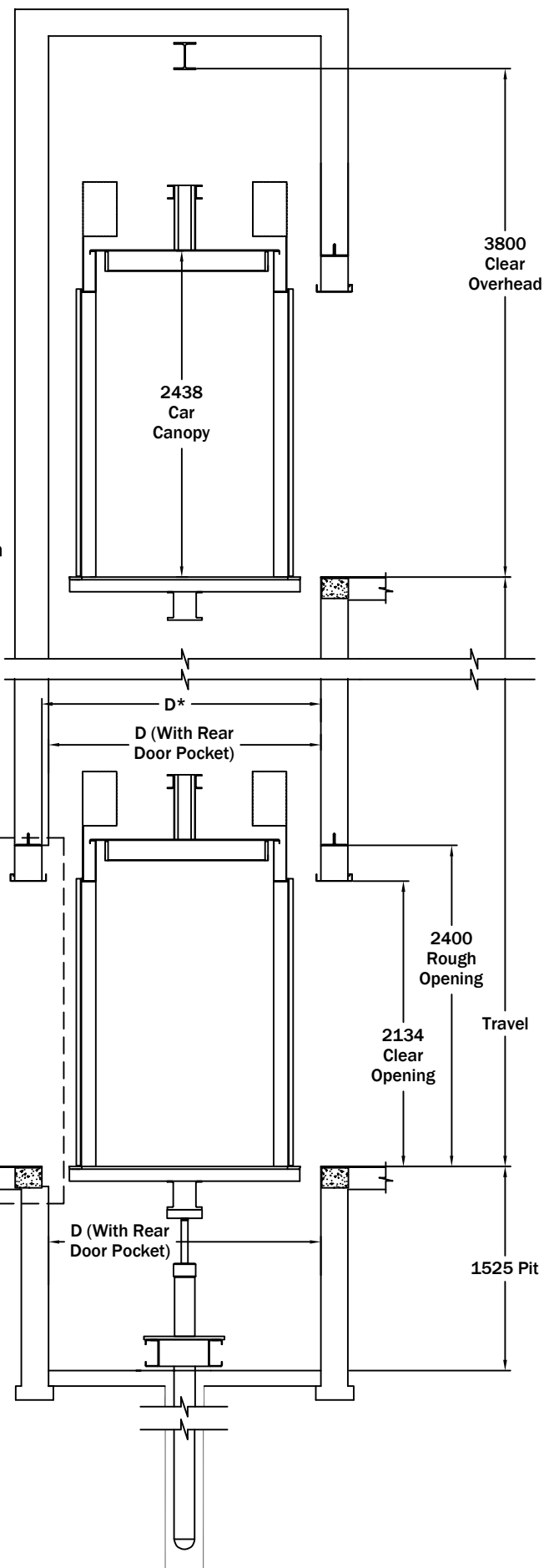


Left Hand Opening Shown
Right Hand Opposite



Centre Opening

See Pocket Detail Page
for Rear Pocket Option



Standard Available Sizes

Capacity (kg)	W (mm)	D (mm)	D* (mm)	IW (mm)	ID (mm)	O (mm)	RO (mm)
910	2264	1985	2036	1726	1300	914	1675
1134	2540	1985	2036	2032	1300	1067	1675
1365	2540	2091	2142	2032	1406	1067	1675
1587	2540	2295	2346	2032	1610	1067	1675

- D* = D + 51 mm at Rear Entrance Only
- For Seismic Applications, Consult Delta Elevator for Increased Dimension "W"
- Clear Overhead Based Upon 2438mm Car Canopy
- Add 305mm to Clear Overhead for Every Car Canopy Increase of 152 to 305mm
- With Travel Greater than 10m, Consult Delta Elevator Regarding Design Options