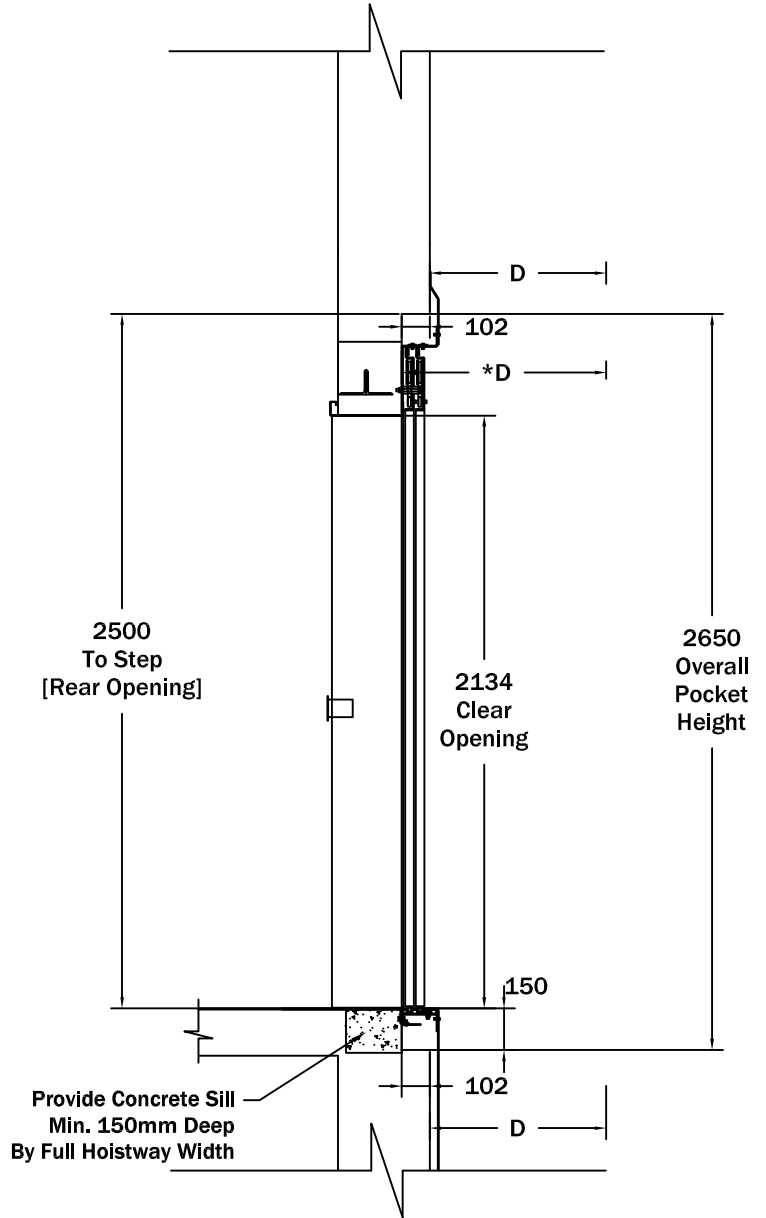


Single Speed Door



Two Speed Doors

Pocket to be Full Width of Hoistway