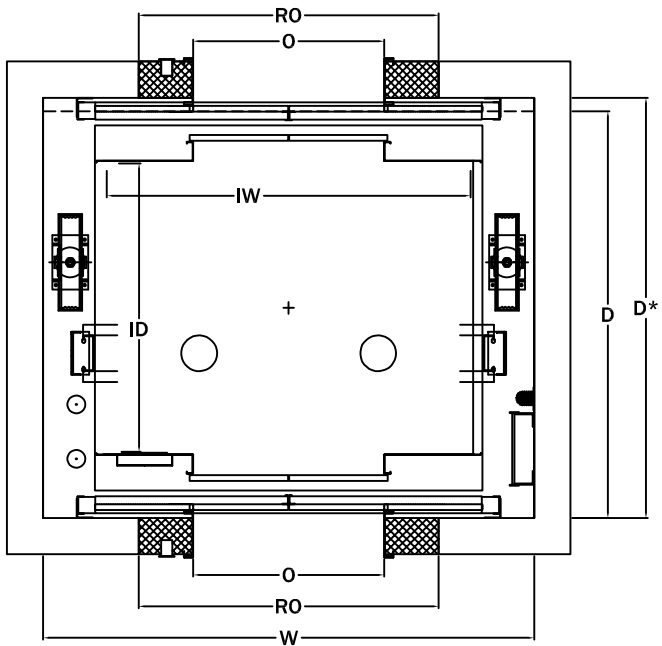


**Left Hand Opening Shown**  
**Right Hand Opposite**



**Centre Opening**

See Pocket Detail Page  
for Rear Pocket Option

**Standard Available Sizes**

Capacity (kg)	W (mm)	D (mm)	D* (mm)	IW (mm)	ID (mm)	O (mm)	RO (mm)
910	2438	1985	2036	1726	1300	914	1675
1134	2743	1985	2036	2032	1300	1067	1675
1365	2743	2091	2142	2032	1406	1067	1675
1587	2743	2295	2346	2032	1610	1067	1675

- $D^* = D + 51$  mm at Rear Entrance Only
- For Seismic Zones 2 or Greater, Consult Delta Elevator for Increased Dimension "W"
- Clear Overhead Based Upon 2438mm Car Canopy
- Add 305mm to Clear Overhead for Every Car Canopy Increase of 152 to 305mm
- With Travel Greater than 7700mm, Consult Delta Elevator Regarding Design Options

