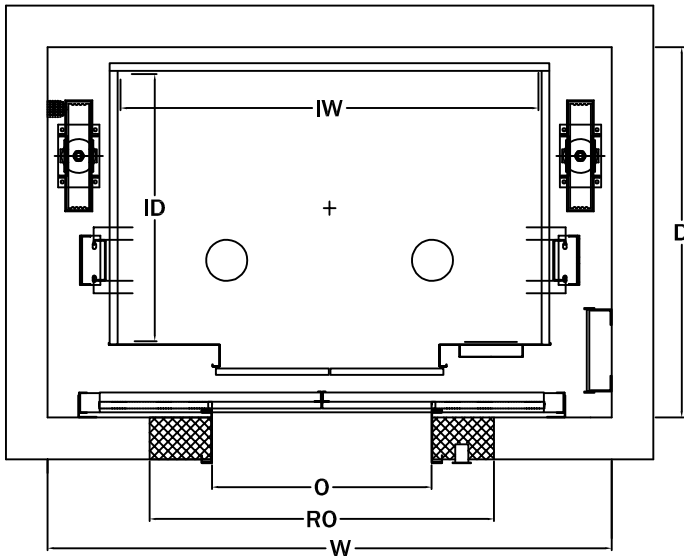
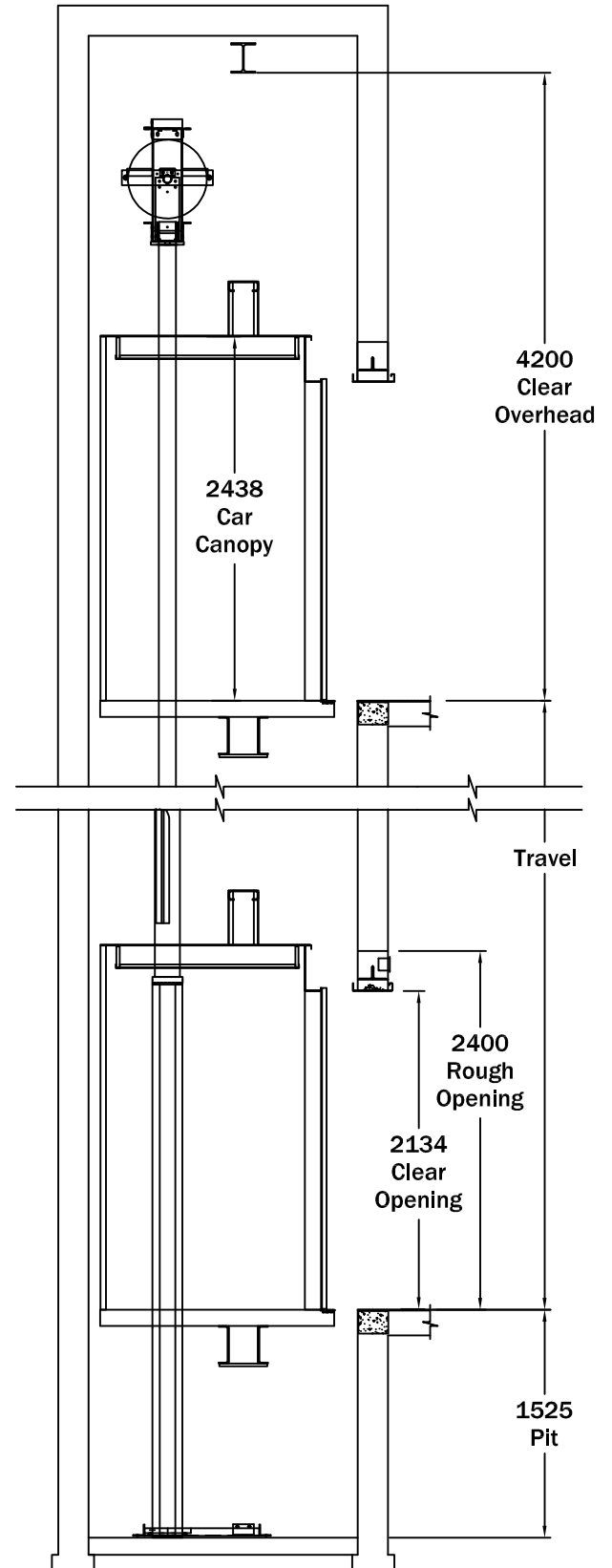


**Left Hand Opening Shown**  
**Right Hand Opposite**



**Centre Opening**



**Standard Available Sizes**

Capacity (kg)	W (mm)	D (mm)	D* (mm)	IW (mm)	ID (mm)	O (mm)	RO (mm)
910	2438	1800	-	1726	1300	914	1675
1134	2743	1800	-	2032	1300	1067	1675
1365	2743	1906	-	2032	1406	1067	1675
1587	2743	2110	-	2032	1610	1067	1675

- For Selsmic Zones 2 or Greater, Consult Delta Elevator for Increased Dimension "W"
- Clear Overhead Based Upon 2438mm Car Canopy
- Add 305mm to Clear Overhead for Every Car Canopy Increase of 152 to 305mm
- With Travel Greater than 7700mm, Consult Delta Elevator Regarding Design Options