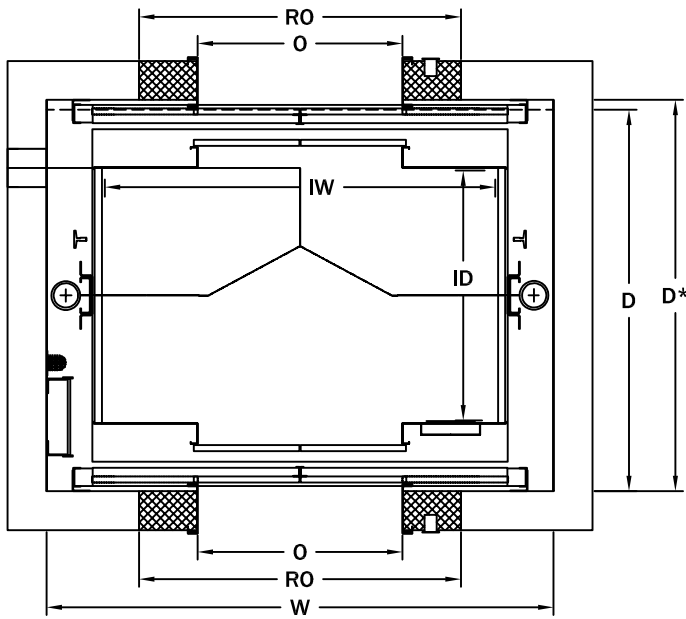


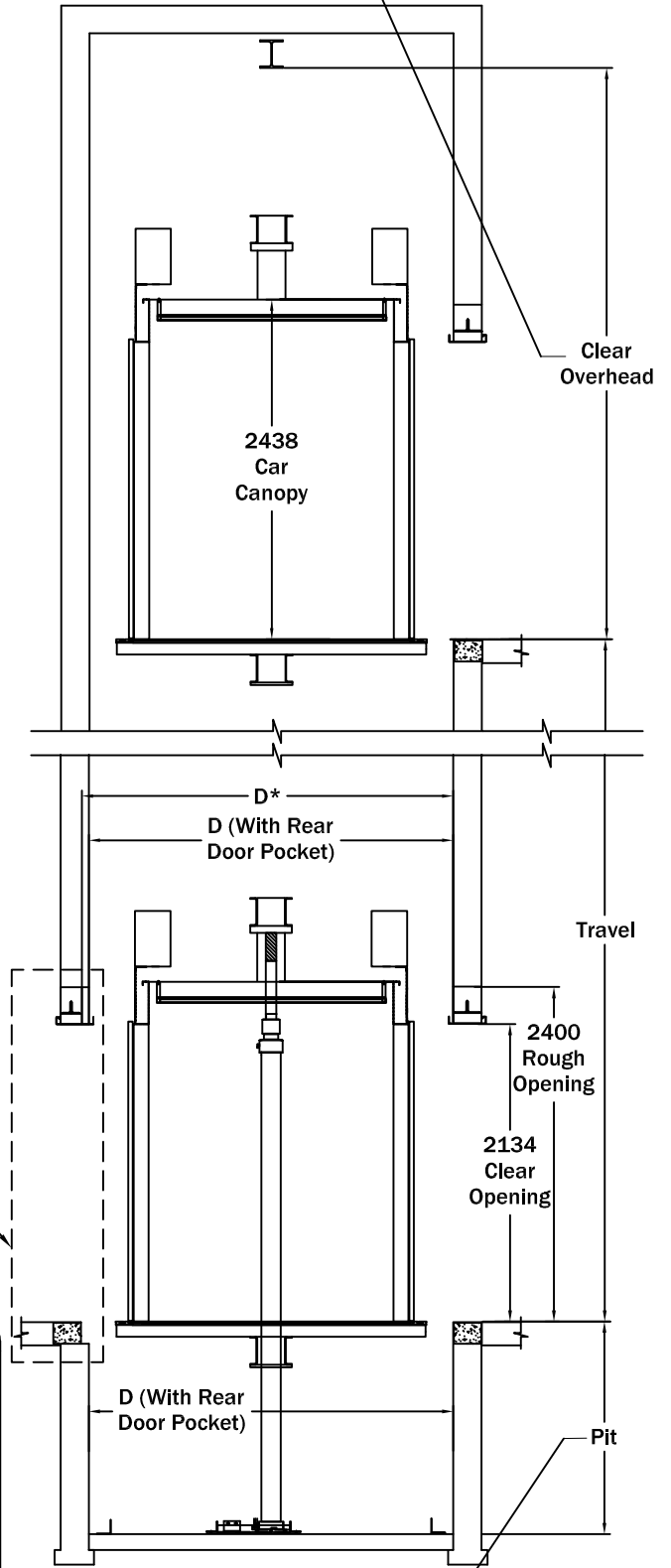
Left Hand Opening Shown
Right Hand Opposite



Centre Opening

See Pocket Detail Page
for Rear Pocket Option

4100mm OVERHEAD - UP TO 6500mm TRAVEL
4400mm OVERHEAD - 6501mm TO 7700mm TRAVEL



1525mm PIT - UP TO 6500mm TRAVEL
1829mm PIT - 6501mm TO 7700mm TRAVEL

Standard Available Sizes

Capacity (kg)	W (mm)	D (mm)	D* (mm)	IW (mm)	ID (mm)	O (mm)	RO (mm)
910	2334	1985	2036	1726	1300	914	1675
1134	2640	1985	2036	2032	1300	1067	1675
1365	2640	2091	2142	2032	1406	1067	1675
1587	2674	2295	2346	2032	1610	1067	1675

- $D^* = D + 51$ mm at Rear Entrance Only
- For Seismic Zones 2 or Greater, Consult Delta Elevator for Increased Dimension "W"
- Clear Overhead Based Upon 2438mm Car Canopy
- For Car Canopy Height Increase Add Equal Height to Clear Overhead
- With Travel Greater than 7700mm, Consult Delta Elevator Regarding Design Options