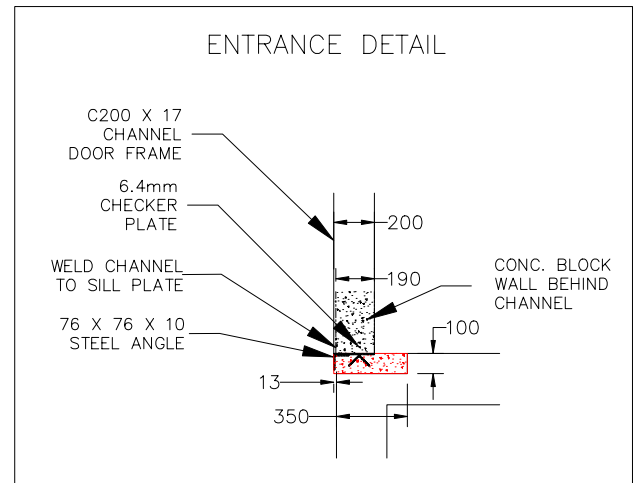


\*FOR OPENING "DH" GREATER THAN 2743, ADDITIONAL PIT DEPTH REQUIRED.





COMMON SIZES AND CAPACITIES FOR FREIGHT ELEVATORS WITH IN-GROUND CYLINDERS

CAPACITY (kg)	ENTRANCES	W (mm)	D (mm)	D* (mm)	IW (mm)	ID (mm)	O (mm)	DH (mm)
1365	FRONT ONLY	2184	2559		1524	2134	1524	2134
1365	FRONT & REAR	2184		2734	1524	2134	1524	2134
1815	FRONT ONLY	2488	2863		1828	2438	1828	2438
1815	FRONT & REAR	2488		3038	1828	2438	1828	2438
2268	FRONT ONLY	3098	2863		2438	2438	2438	2438
2268	FRONT & REAR	3098		3038	2438	2438	2438	2438
2700	FRONT ONLY	3098	3473		2438	3048	2438	2438
2700	FRONT & REAR	3098		3648	2438	3048	2438	2438
5400	FRONT ONLY	3708	4692		3048	4267	3048	2743
5400	FRONT & REAR	3708		4862	3048	4267	3048	2743

CUSTOM SIZES AND CAPACITIES ARE COMMON AND AVAILABLE UPON REQUEST

NOTE: TO MEET SEISMIC CRITERIA FOR ZONES 2 OR GREATER, CONSULT DELTA ELEVATOR FOR INCREASED HOISTWAY DIMENSION "W".

WWW.DELTA-ELEVATOR.COM

LIFT TYPE  
FREIGHT ELEVATOR  
CONVENTIONAL HYDRAULIC (CHF)

TITLE  
FRONT & REAR ENTRANCES  
PLAN VIEW & HOISTWAY CROSS SECTION

DRAWING NO. FREIGHT-HYD	REV. 1	SHEET 1 OF 2
----------------------------	-----------	-----------------

CLASS OF LOAD

CLASS A: GENERAL FREIGHT LOADING

Material is moved on and off the elevator/lift manually or by means of a single hand truck. No concentrated loading is permitted. Minimum capacity is based on 250 kg per square metre (50 pounds per square foot) of inside net platform area. Single piece loads are restricted to 25% of the rated capacity.

CLASS B: MOTOR VEHICLE LOADING

Solely for carrying trucks or passenger automobiles. Minimum capacity is based on 150 kg per square metre (30 pounds per square foot) of the inside net platform area.

CLASS C1: INDUSTRIAL TRUCK LOADING



The elevator is permitted to carry a forklift along with the load. However, the total of the load and the forklift may not exceed the rated capacity of the elevator/lift.

CLASS C2: INDUSTRIAL TRUCK LOADING

For this classification, a forklift is not normally carried by the elevator but may be used for loading and unloading. While this classification does not affect the rated capacity, the fact that the elevator does not carry the forklift does permit exceeding the rated capacity during the loading and unloading. During elevator movement, the rated capacity may not be exceeded.

CLASS C3: OTHER LOADING WITH HEAVY CONCENTRATIONS

Where forklifts are not normally used. Loading is determined on the basis of actual loading conditions, but not less than that required for Class A loading.

		
<a href="http://WWW.DELTA-ELEVATOR.COM">WWW.DELTA-ELEVATOR.COM</a>		
LIFT TYPE FREIGHT ELEVATOR CONVENTIONAL HYDRAULIC (CHF)		
TITLE CLASS OF LOAD		
DRAWING NO. FREIGHT-HYD	REV. 1	SHEET 2 OF 2