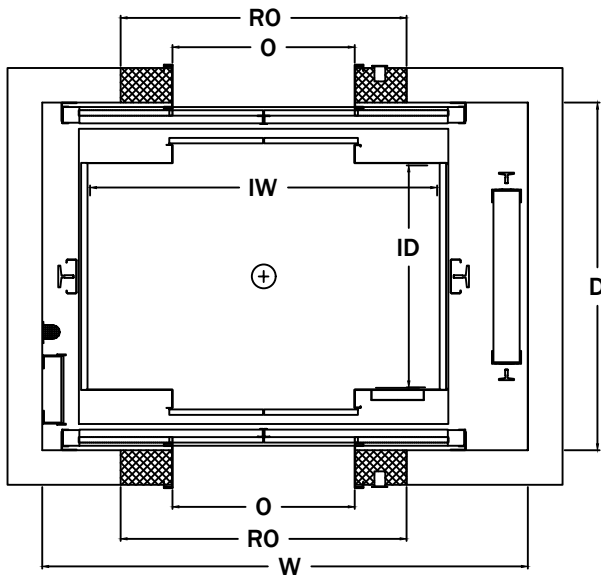
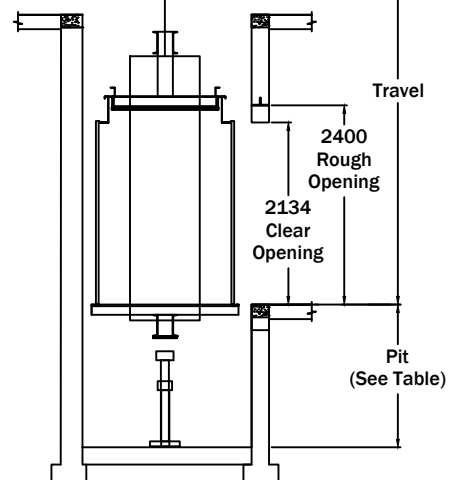
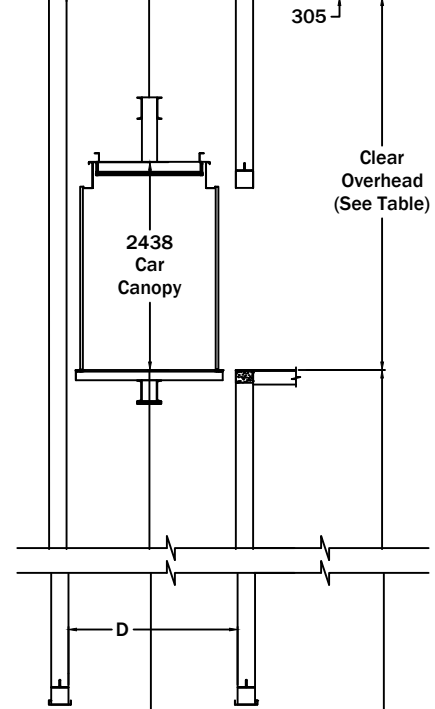
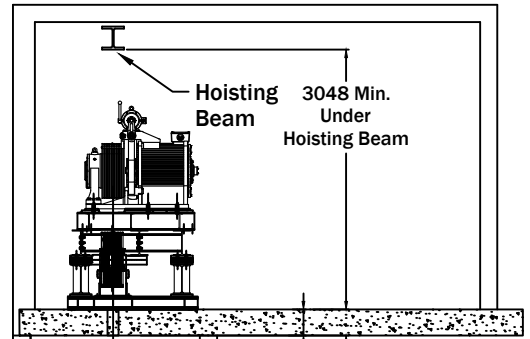


Left Hand Opening Shown
Right Hand Opposite



Centre Opening



Speed	Cap	Pit Depth	Overhead
3.5 m/s		910-1587 kg	910-1587 kg
		3500 mm	5600 mm

Standard Available Sizes

Capacity (kg)	W (mm)	D (mm)	IW (mm)	ID (mm)	O (mm)	RO (mm)
910	2740	2086	1726	1300	914	1675
1134	3045	2086	2032	1300	1067	1675
1365	3045	2192	2032	1406	1067	1675
1587	3045	2396	2032	1610	1067	1675

- For Seismic Applications, Consult Delta Elevator for Increased Dimension "W"
- For CWT Safety Applications, Consult Delta Elevator for Increased Dimensions
- Clear Overhead Based Upon 2438mm Car Canopy
- Add 305mm to Clear Overhead for Every Car Canopy Increase of 152 to 305mm